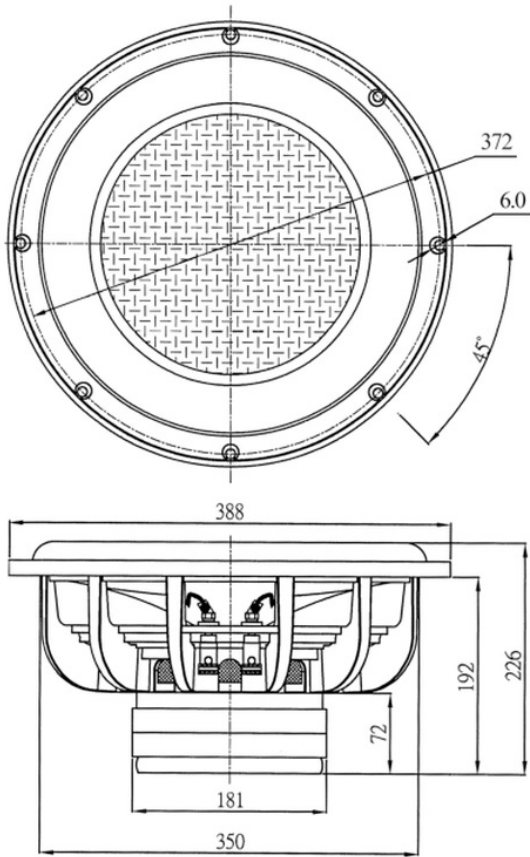




UM15-22 15" Ultimax DVC Subwoofer 2 ohm Per Coil

UM15-22



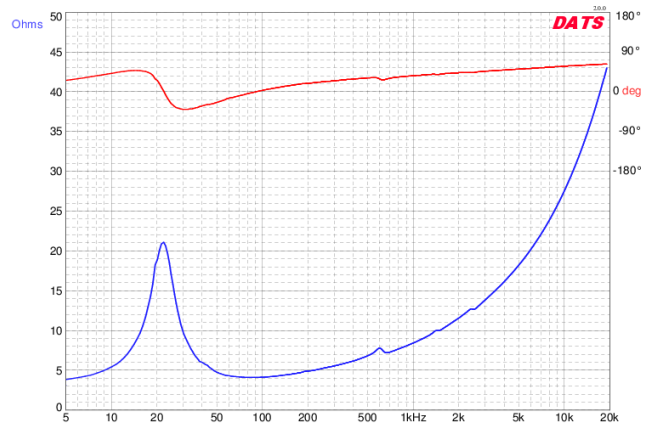
PARAMETERS

| | |
|-----------------------------|-----------------------|
| Impedance | 4 ohms |
| Re | 3.4 ohms |
| Le | 1.31 mH |
| Fs | 19.5 Hz |
| Qms | 2.40 |
| Qes | 0.59 |
| Qts | 0.47 |
| Mms | 279.4 g |
| Cms | 0.24 mm/N |
| Sd | 814.6 cm ² |
| Vd | 1,548 cm ³ |
| BL | 15.4 Tm |
| Vas | 224.3 liters |
| Xmax | 19 mm |
| VC Diameter | 63.5 mm |
| SPL | 86.5 dB @ 2.83V/1m |
| RMS Power Handling | 800 watts |
| Usable Frequency Range (Hz) | 15 - 1,000 Hz |

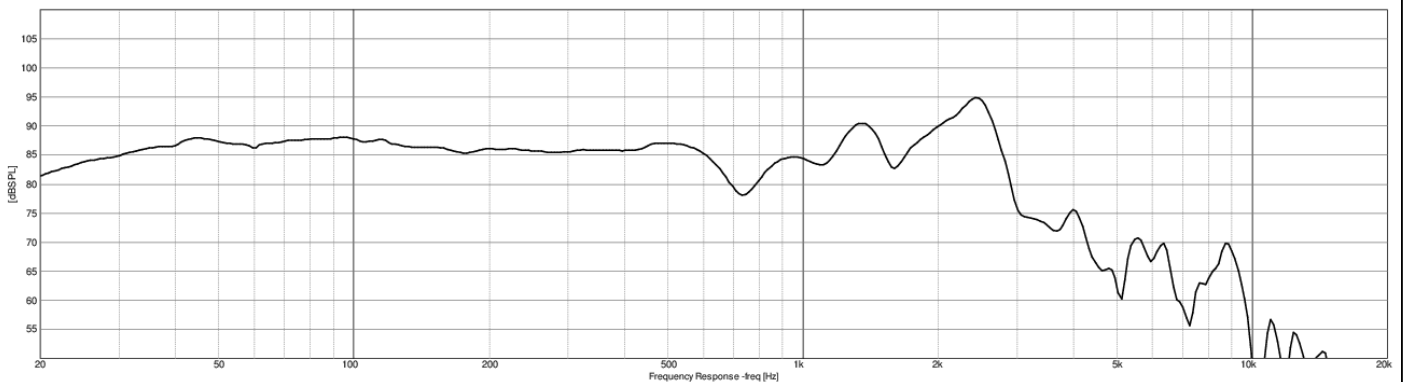
FEATURES

- Sweeps massive amounts of air!
- Over 1-1/2" of total cone travel
- 800 watts RMS power handling
- The latest in subwoofer technology
- Dual linear stiffness spiders limit distortion and rocking modes

IMPEDANCE/PHASE



FREQUENCY RESPONSE



Note: 1/24th octave smoothing - nearfield response included in graph below 450 Hz.

Black = 0°