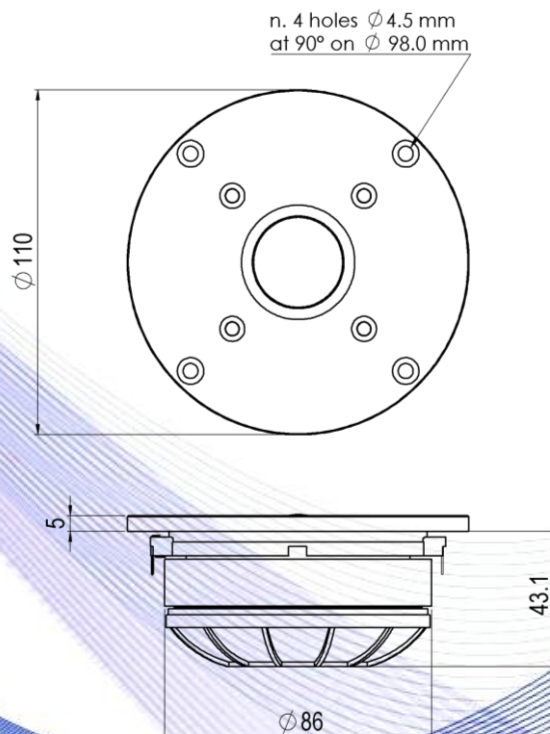


- 1.1" voice coil Aluminium former and flat Aluminium wire
- Treated silk dome with additional damping treatment
- Ferrite magnet circuit with copper ring
- Damped rear chamber
- 93.3 dB sensitivity

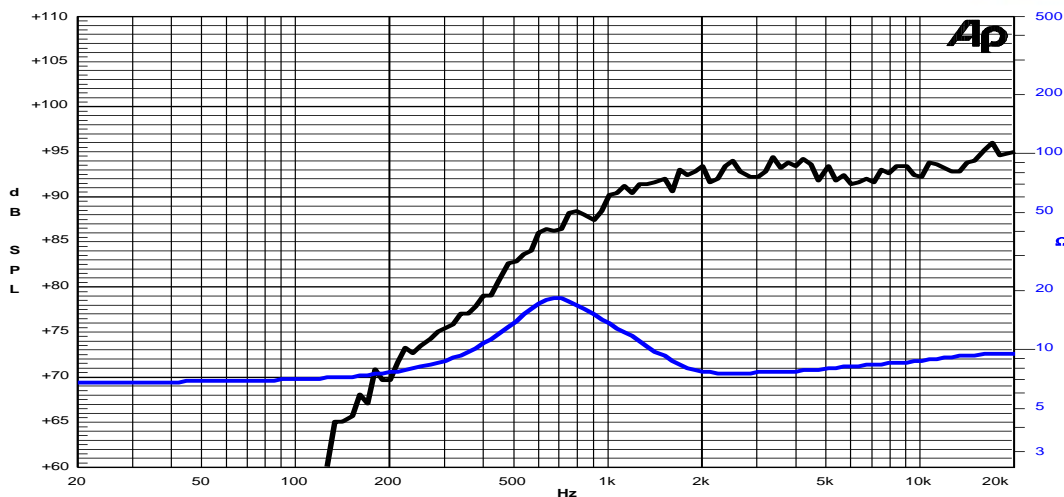


Specifications	
Nominal Diameter	110mm
Nominal Impedance	8Ω
Rated Power AES <sup>(1)</sup> (2000 - 20000 Hz)	25W
Continuous Program Power <sup>(2)</sup>	50W
Rated Noise Power (IEC 60268-5) <sup>(3)</sup>	120W
Sensitivity @ 1W/1m <sup>(4)</sup>	93.3dB
Voice Coil Diameter	28mm (1.1")
Voice Coil Winding Depth	2.7mm
Magnetic Gap Depth	3mm
Flux Density	12.8T
DC Resistance	6.00Ω
Resonance Frequency	650Hz
Magnet Weight	380g
Net Weight	0.80kg
Recommended Crossover Frequency	2.0kHz



Constructive Characteristics	
Magnet	: Ferrite
Voice Coil Winding Material	: Aluminium Flat Wire
Voice Coil Former Material	: Aluminium
Diaphragm	: Treated Silk
Ferrofluid in Air Gap	: No
Flange	: Plastic
Spare Part Code	: Z009410

Frequency Response on IEC Baffle (DIN 45575) @ 1W,1m – Free Air Impedance



- Note:
- 1 : Rated Power measured with 2 hours test with pink noise signal, 6dB crest factor, loudspeaker mounted on enclosure
  - 2: Power on Continuous Program is defined as 3 dB greater than the Rated Power
  - 3: Rated Noise Power measured with 100 hours test pink noise, 6dB crest factor IFC60268-5 filtering
  - 4: Measured at 1W,1m in axis within the frequency range
  - 5: Drawing dimensions: mm